

KYMASGARD® RTF 2-FSE-P KYMASGARD® RFTF 2-FSE-P

NEW



S+S REGELTECHNIK

Wireless room humidity and temperature radio sensors with solar cell, setpoint setter, series Frija II

The room temperature sensors KYMASGARD® RTF-2-FSE-P respectively RFTF-2-FSE-P are batteryless and maintenance-free radio transmitters. Energy generation is effected by conversion of indoor room light into electric energy by means of a solar generator. These sensors are used to detect the room temperature respectively room humidity as well as for setpoint setting and to transmit the measurands via radio frequency to radio actuators and radio signal receivers/gateways. If ambient light conditions are insufficient for energy generation, they also can be operated on a lithium battery. To do so the lithium cell is to be inserted into the battery holder provided.

**RTF 2-FSE-P
RFTF 2-FSE-P**

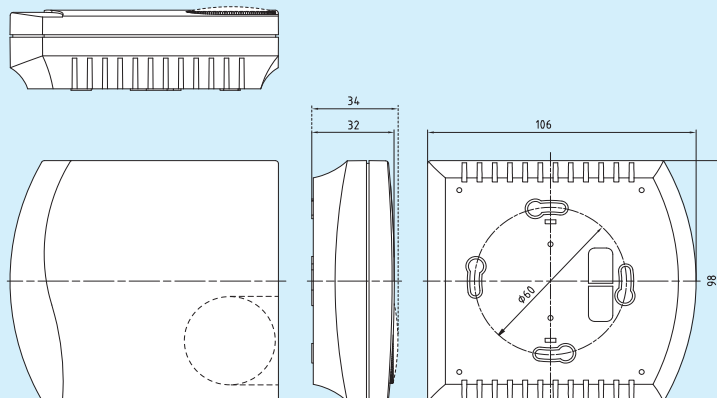


TECHNICAL DATA:

- Operation: Energy generation by solar cell, batteryless, maintenance-free (optionally battery-operated)
- Radio technology: EnOcean protocol, modulation ASK, 868 MHz, transmission power max. 10 mW, telegram type 4BS
- Channels: 1 temperature, 1 humidity, 1 setpoint
- Radio transmitter module: EnOcean Dolphin
- Measuring range, temperature: 0... +40°C
- Deviation, temperature: ±0,8K
- Measuring range, humidity: 0...100% r.H.
- Deviation humidity: ±3% r.H. (30...80%) at 20°C
- Setpoint capture: turning angle left 0° = 0 bits
turning angle right 270° = 255 bits
- Measurand acquisition: adjustable, every 1s/10s/100s
- Transmission interval: adjustable, typically every 100 seconds, or at any measuring value change, or change of turning angle status telegram approximately every 16 minutes
- Range of coverage: indoors typically 30 - 100 m, outdoors up to 300 m
- Enclosure: plastic, material ABS, colour pure white (similar RAL9010)
- Dimensions: 98 x 106 x 32 mm (Frija II)
- Installation: wall mounting or on in-wall flush box Ø 55 mm, base with 4-hole for mounting on vertically or horizontally installed in-wall flush boxes
- Ambient temperature: -5...+55°C (in operation)
- Storage temperature: -25...+60°C
- Humidity: 0...90% r.H., non-precipitating air
- Protection class: III (according to EN 60730)
- Protection type: IP 30 (according to EN 60529)
- Standards: CE conformity according to EMC directive 2004/108/EC and according to R&TTE directive 1999/5/EC

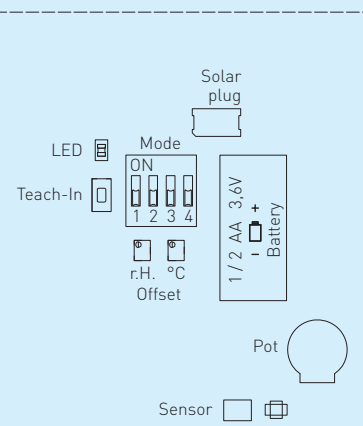
Dimensional drawing

**RTF 2-FSE-P
RFTF 2-FSE-P**



Schematic diagram

**RTF 2-FSE-P
RFTF 2-FSE-P**



**KYMASGARD® RTF 2-FSE-P
KYMASGARD® RFTF 2-FSE-P**

Type/WG3 Designation	Item No.	Channels	Measuring Range Temperature	Humidity	Energy Generation
RTF 2-FSE-P	1801-4451-0140-040	2	0...40°C	-	Solar cell, battery
RFTF 2-FSE-P	1801-4452-0140-040	3	0...40°C	0...100% r.H.	Solar cell, battery