

KYMASGARD® RTF 2 - FSE KYMASGARD® RFTF 2 - FSE

NEW



S+S REGELTECHNIK

Wireless room humidity and temperature radio sensors with solar cell, series Frija II

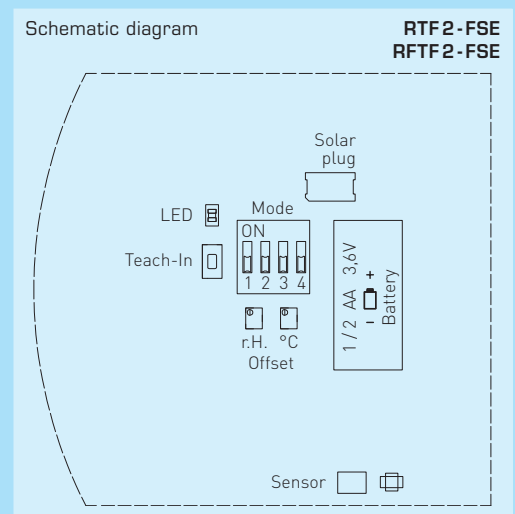
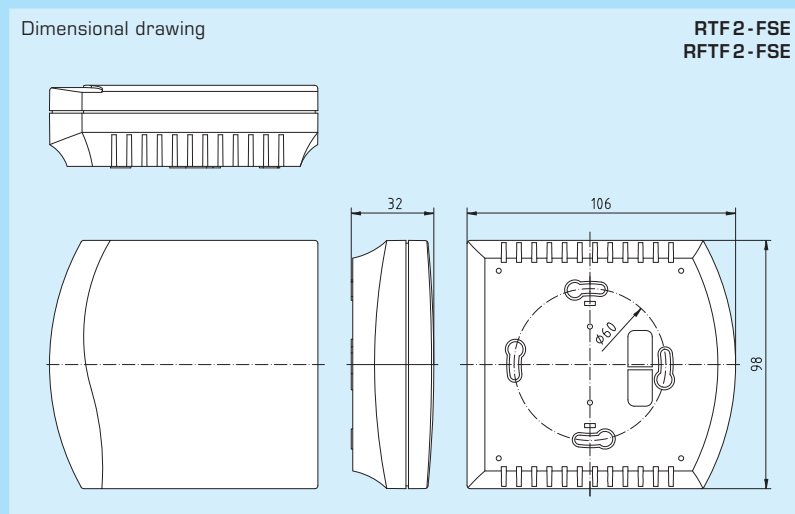
The room temperature sensors KYMASGARD® RTF-2-FSE respectively RFTF-2-FSE are batteryless and maintenance-free radio transmitters. Energy generation is effected by conversion of indoor room light into electric energy by means of a solar generator. These sensors are used to detect the room temperature respectively room humidity and to transmit the measurands via radio frequency to radio actuators and radio signal receivers/gateways. If ambient light conditions are insufficient for energy generation, they also can be operated on a lithium battery. To do so the lithium cell is to be inserted into the battery holder provided.

**RTF 2 - FSE
RFTF 2 - FSE**



TECHNICAL DATA:

- Operation: Energy generation by solar cell, batteryless, maintenance-free (optionally battery-operated)
- Radio technology:..... EnOcean protocol, modulation ASK, 868 MHz, transmission power max. 10 mW, telegram type 4BS
- Channels:..... 1 temperature, 1 humidity
- Radio transmitter module: EnOcean Dolphin
- Measuring range, temperature:..... 0...+ 40°C
- Deviation, temperature:..... ± 0,8K
- Measuring range, humidity:.... 0...100 % r.H.
- Deviation humidity:..... ± 3% r.H. (30...80%) at 20°C
- Measurand acquisition: adjustable, every 1s / 10s / 100s
- Transmission interval: adjustable, typically every 100 seconds, or at any measuring value change, status telegram approximately every 16 minutes
- Range of coverage: indoors typically 30 - 100 m, outdoors up to 300 m
- Enclosure: plastic, material ABS, colour pure white (similar RAL9010)
- Dimensions: 98 x 106 x 32 mm (Frija II)
- Installation: wall mounting or on in-wall flush box Ø 55 mm, base with 4-hole for mounting on vertically or horizontally installed in-wall flush boxes
- Ambient temperature:..... - 5...+ 55 °C
- Storage temperature:..... - 25...+ 60 °C
- Humidity:..... 0...90 % r.H., non-precipitating air
- Protection class: III (according to EN 60730)
- Protection type:..... IP 30 (according to EN 60529)
- Standards: CE conformity according to EMC directive 2004 / 108 / EC and according to R&TTE directive 1999 / 5 / EC



**KYMASGARD® RTF 2 - FSE
KYMASGARD® RFTF 2 - FSE**

Type / WG3 Designation	Item No.	Channels	Measuring Range Temperature	Humidity	Energy Generation
RTF 2 - FSE	1801-4451-0040-040	1	0... 40 °C	-	Solar cell, battery
RFTF 2 - FSE	1801-4452-3040-040	2	0... 40 °C	0... 100% r.H.	Solar cell, battery