

**MSDD pass-through RJ45 fem/fem**

Pass-through

1 × RJ45, 8-pole metal, CAT5e (female/female)

**Image**

Vicarious picture

**Technical Data**

Operating voltage	24 V AC
Operating current	max. 1.5 A
Specification	SUB-D: (DIN 41652/IEC 60807-1); RJ45: CAT5e (100 MHz · MBit/s); USB: 2.0/Type 2dB (max. 480 Mbit/s)
Mounting depth mounted	approx. 19 mm

**General data**

Shielded	yes
Protection	IP65
Dimensions Ø × D	29.5 x 29 mm
Cut-out	Ø 22.5 mm

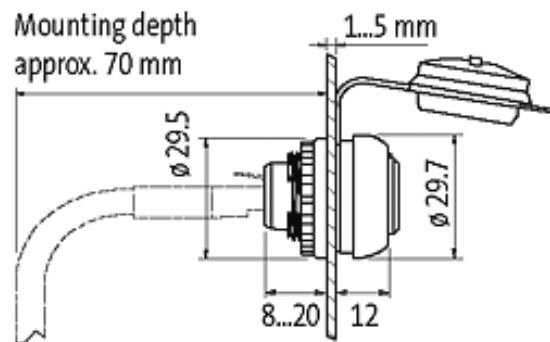
**Commercial data**

Net weight	18
Weight unit	Gram
Basic unit	pc.
Customs tariff number	85366990
Unit (piece)	1
Minimum order quantity (piece)	1

**Communication inserts**

RJ45	
------	--

## Dimension drawing



## Control cabinet cut-out

